



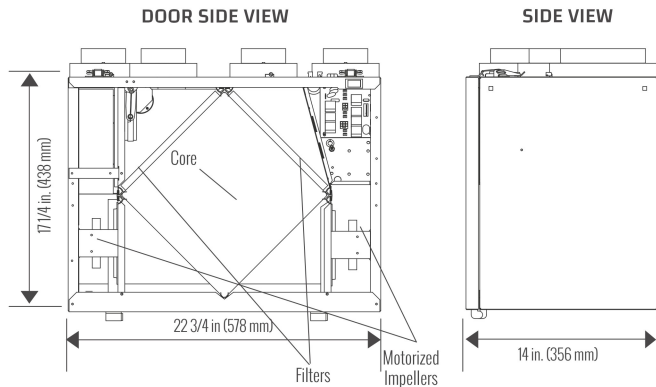
RNC5-TPF  
180 CFM @ 0.3 (75) IN. W.G. (PA)

**COMBINING GREAT PERFORMANCE  
IN A COMPACT DESIGN WITH VERY  
COMPETITIVE PRICING**

- Cross Flow Core
- Door Port Balancing & Adjustable Dampers
- Top Ported
- Excellent Low Temperature Performance

NOTE: Front clearance of 25 in. (635 mm) is recommended for servicing unit.  
All ducts use 5 in. (125 mm) oval collars.  
Balancing dampers are located on all collars.  
All units conform to CSA and UL standards.

**DIMENSIONS**



**FEATURES**

**THERMALLY  
CONDUCTIVE  
HEX CORE**

Cross-flow heat recovery core transfers heat between the two airstreams. It is easily removed for cleaning or service.

**MOTORS AND  
BLOWERS**

Each airstream has one motorized impeller with multiple fan speed operations.

**MERV 6  
FILTERS**

Washable air filters in exhaust and supply airstreams.  
MERV 13 Upgrade: 65-195-6R.

**MOUNTING**

Four threaded inserts at corners of the cabinet designed to accept the "S" hooks and hanging straps supplied with the unit.

**DEFROST**

Fan defrost. Temperature sensor activated, periodically shuts down supply motor.

**CASE**

22 gauge prepainted galvanized steel for superior corrosion resistance. Insulated to prevent exterior condensation. Drain connections 2 - 1/2 in. (12 mm) OD. Balancing ports are located on door.

**INSTALLER  
SELECTABLE  
HIGH SPEED  
SETTINGS**

Adjustable DIP switches are located on the circuit board, Hi3 is the factory setting. Refer to the installation manual for adjustment instructions.

**ELECTRONICS**

The optional control can be wall mounted in a central location of the home. 3 wire 20 gauge (min.) 100 ft length (max.).

Weight: 51 lbs (23 KG) • Shipping Weight: 54 lbs (25 KG)

# LIFEBREATH® RNC5-TPF

Indoor Air Systems **HEAT RECOVERY VENTILATOR**



## SPECIFICATIONS

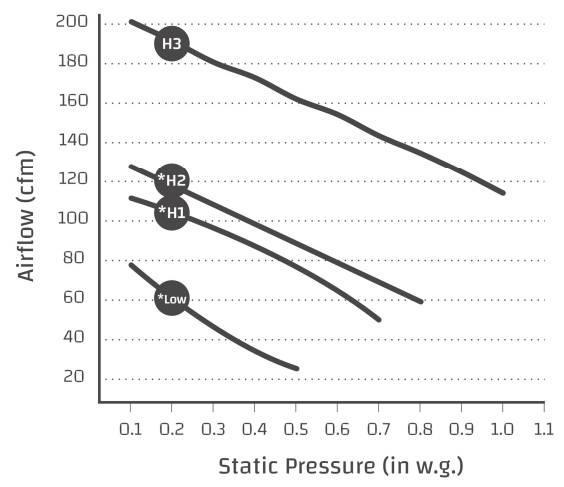
<b>MODEL:</b>	<b>RNC5-TPF</b>
<b>VOLTAGE:</b>	120 V
<b>FREQUENCY:</b>	60 Hz
<b>WATTS @ 64 CFM (30 L/S):</b>	68 W
<b>CURRENT:</b>	1.2 A
<b>AIRFLOW @ 0.3:</b>	180 CFM
<b>WEIGHT:</b>	57 lbs / 25.8 kg
<b>DRAIN:</b>	Yes
<b>MCA:</b>	2.0 A
<b>MOP:</b>	15 A
<b>WARRANTY:</b>	Units carry a lifetime warranty on the HRV core and a 5 year replacement parts warranty.



## PERFORMANCE

IN. W.G. (PA)	0.2 (50) CFM (L/s)	0.3 (75) CFM (L/s)	0.4 (100) CFM (L/s)	0.5 (125) CFM (L/s)	0.6 (150) CFM (L/s)	0.7 (175) CFM (L/s)	0.8 (200) CFM (L/s)	0.9 (225) CFM (L/s)	1.0 (250) CFM (L/s)
<b>Net Supply Airflow</b>	191 (90)	180 (85)	172 (81)	161 (76)	153 (72)	142 (67)	133 (63)	123 (58)	112 (53)
<b>Gross Supply Airflow</b>	191 (90)	182 (86)	172 (81)	163 (77)	153 (72)	142 (67)	133 (63)	123 (58)	112 (53)
<b>Gross Exhaust Airflow</b>	193 (91)	182 (86)	172 (81)	161 (76)	148 (70)	138 (65)	125 (59)	112 (53)	102 (48)

<b>*Sensible Effectiveness (ASE) @ 64 CFM (30 L/s)</b>	32°F (0°C)	74%
<b>*Sensible Effectiveness (ASE) @ 95 CFM (45 L/s)</b>	32°F (0°C)	71%
<b>*Sensible Effectiveness (ASE) @ 117 CFM (55 L/s)</b>	32°F (0°C)	69%
<b>Sensible Efficiency (SRE) @ 95 CFM (45 L/s)</b>	32°F (0°C)	62%
<b>Sensible Efficiency (SRE) @ 117 CFM (55 L/s)</b>	32°F (0°C)	61%
<b>Sensible Efficiency (SRE) @ 70 CFM (33 L/s)</b>	-13°F (-25°C)	56%



\* Not an HVI certified data point