

## 30" Range Hood with dishwasher-safe full-width grease filters

<http://www.whirlpoolcorp.com>

### Key Features:

- FIT System
- 0.5 sones at Working Speed
- Dishwasher-Safe, Full-Width Grease Filters
- Powerful 3-Speed, 250 CFM Fan
- LED Task Lighting
- Recirculation (Non-Vented/Duct-Free)

### Product Dimensions:

Height: 4 15/16

Width: 29 15/16

Depth: 18 5/8



### Additional Information:

[Use And Care Guide](#)

[Dimension Guide](#)

[Installation Guide](#)

[Warranty Certificate](#)

### Available in:

- Black
- Stainless Steel
- White

# 30" (76.2 cm) and 36" (91.4 cm) Range Hood

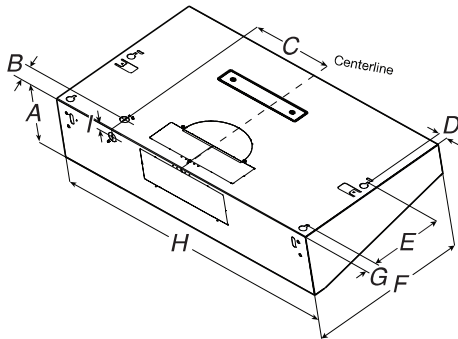
## PRODUCT MODEL NUMBERS

WVU37UC0F      WVU37UC6F

## ELECTRICAL REQUIREMENTS

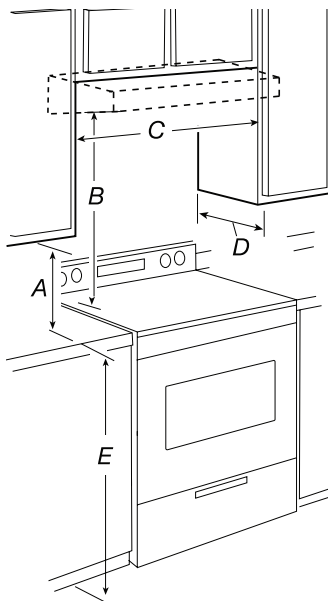
- A 120-volt, 60 Hz., AC-only, 15-amp, fused electrical circuit is required.

## PRODUCT DIMENSIONS



- A.  $6^{19}/_{54}$ " (16 cm)
- B. 2" (5 cm)
- C.  $8^{25}/_{64}$ " (21.3 cm)
- D. 1" (2.54 cm)
- E.  $8^{32}/_{32}$ " (22.8 cm)
- F.  $19^{11}/_{16}$ " (50 cm)
- G.  $1^{1}/_{2}$ " (3.8 cm)
- H. 36" (91.4 cm) for 36" (91.4 cm) models  
30" (76.2 cm) for 30" (76.2 cm) models
- I.  $5^{5}/_{64}$ " (2.2 cm)

## INSTALLATION CLEARANCES



- A. 18" (45.7 cm) min. clearance - upper cabinet to countertop
- B. 24" (61.0 cm) minimum - bottom of range hood to cooking surface
- C. 30" (76.2 cm) min. cabinet opening width for 30" (76.2 cm) models  
36" (91.4 cm) min. cabinet opening width for 36" (91.4 cm) models
- D. 12" (30.5 cm) minimum cabinet depth
- E. 36" (91.4 cm) base cabinet height

## VENTING REQUIREMENTS

- This range hood is factory set to exhaust the air to the outside through the wall or the roof. A non-vented (recirculating) installation will require a Charcoal Filter Kit. See the "Accessories" section for ordering information.
- Vent system must terminate to the outdoors, except for nonvented (recirculating) installations.
- Do not terminate the vent system in an attic or other enclosed area.
- Do not use a 4" (10.2 cm) laundry-type wall cap.
- Use a 7" (17.8 cm) round metal vent or a  $3^{1}/_{4}$ " x 10" (8.3 cm x 25.4 cm) rectangular metal vent, depending on your installation requirements. Rigid metal vent is recommended. Plastic or metal foil vent is not recommended.
- The length of vent system and number of elbows should be kept to a minimum to provide efficient performance.

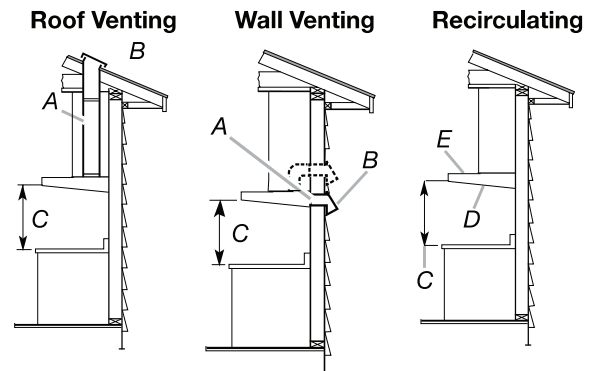
### For the most efficient and quiet operation:

- Use no more than three 90° elbows.
- Make sure there is a minimum of 24" (61 cm) of straight vent between the elbows if more than 1 elbow is used.
- Do not install 2 elbows together.
- Use clamps or duct tape to seal all joints in the vent system.
- The vent system must have a damper. If roof or wall cap has a damper, do not use damper supplied with the range hood.
- Use caulking to seal exterior wall or roof opening around the cap.

## VENTING METHODS

Vent system can terminate either through the roof or wall. Use  $3^{1}/_{4}$ " x 10" (8.3 cm x 25.4 cm) rectangular with a maximum vent length of 35 ft (10.7 m) or 7" (17.8 cm) or larger round vent with a maximum length of 50 ft (15.2 m) for vent system.

**NOTE:** Flexible vent is not recommended. Flexible vent creates both back pressure and air turbulence that greatly reduce performance.




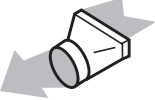
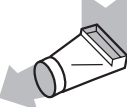


- A. 7" (17.8 cm) round vent through roof or  $3^{1}/_{4}$ " x 10" (8.3 cm x 25.4 cm) rectangular vent through the roof or wall (purchased separately)
- B. Roof/Wall cap with damper (purchased separately)
- C. 24" (61.0 cm) min. above the cooking surface
- D. Charcoal Filter Kit (purchased separately)
- E. Recirculating grid

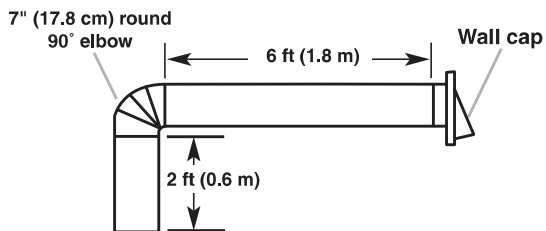
## CALCULATING VENT SYSTEM LENGTH

To calculate the length of the system you need, add the equivalent feet (meters) for each vent piece used in the system.

### 7" (17.8 cm) Round Vent System

Vent Piece	Round	
45° elbow	2.5 ft (0.8 m)	
90° elbow	5.0 ft (1.5 m)	
7" (17.8 cm) wall cap	0.0 ft (0.0 m)	
3 1/4" x 10" (8.3 cm x 25.4 cm) to 7" (17.8 cm)	4.5 ft (1.4 m)	
3 1/4" x 10" (8.3 cm x 25.4 cm) to 7" (17.8 cm) 90° elbow	5.0 ft (1.5 m)	

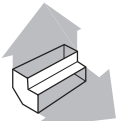
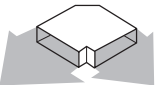

### Example vent system



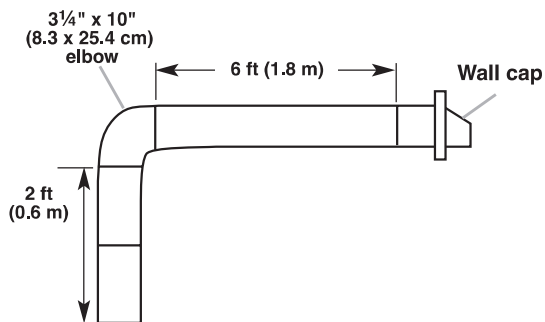
**Maximum Recommended Length = 50 ft (15.2 m)**

1 - 90° elbow	= 5.0 ft (1.5 m)
1 - wall cap	= 0.0 ft (0.0 m)
8 ft (2.4 m) straight	= 8.0 ft (2.4 m)
Length of 7" (17.8 cm) system	= 13.0 ft (3.9 m)

### 3 1/4" x 10" (8.3 cm x 25.4 cm) Vent System

Vent Piece		
3 1/4" x 10" (8.3 cm x 25.4 cm) 90° elbow	5.0 ft (1.5 m)	
3 1/4" x 10" (8.3 cm x 25.4 cm) flat elbow	12.0 ft (3.7 m)	
3 1/4" x 10" (8.3 cm x 25.4 cm) wall cap	0.0 ft (0.0 m)	

### Example vent system



**Maximum Recommended Length = 35 ft (10.7 m)**

1 - 90° elbow	= 5.0 ft (1.5 m)
8 ft (2.4 m) straight	= 8.0 ft (2.4 m)
1 - wall cap	= 0.0 ft (0.0 m)
Length of 3 1/4" x 10" (8.3 cm x 25.4 cm) system	= 13.0 ft (3.9 m)